

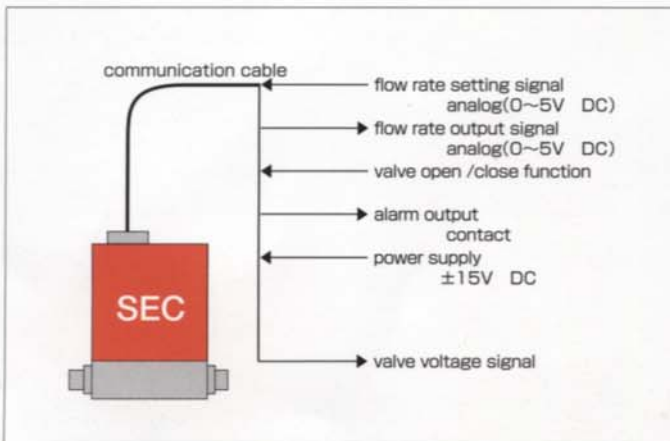


MASS FLOW CONTROLLER

SEC-E400J series

MASS FLOW CONTROLLER (SOLENOID CONTROL VALVE)

- Low Cost
- Metal Seal Model
- Auto Zero Function / Diagnose MFC Functions
- Full Shut Off by Solenoid Control Valve



Model	SEC-	E-440J	E-450J
Wetted Materials	SUS-316L, PTFE		
Valve Type	close at power-off		
Flow Range (for N ₂ F.S.)	10/20/30/50/100/200/300/500 SCCM 1/2/3/5/10 SLM		20/30 SLM
Flow Control Range	2~100% F.S.		
Response	less than 1 second (T98)		
Accuracy	±1% F.S.		
Linearity	±0.5% F.S.		
Repeatability	±0.2% F.S.		
Operating Differential Pressure	50~300kPa (d) (7~42psi)	100~300kPa (d) (14~42psi)	
Pressure Resistance	1MPa (140psi)		
Leak Rate	less than 1×10 ⁻⁷ Pa·m ³ /s (He)		
Operating Temperature	5~50°C (accuracy insurance: 15~35°C)		
Flow Rate Setting Signal	0.1~5VDC		
Flow Rate Output Signal	0~5VDC		
Power Supply	+15V±5% 60mA	-15V±5% 150mA 3.2VA	
Fittings	1/4VCR		