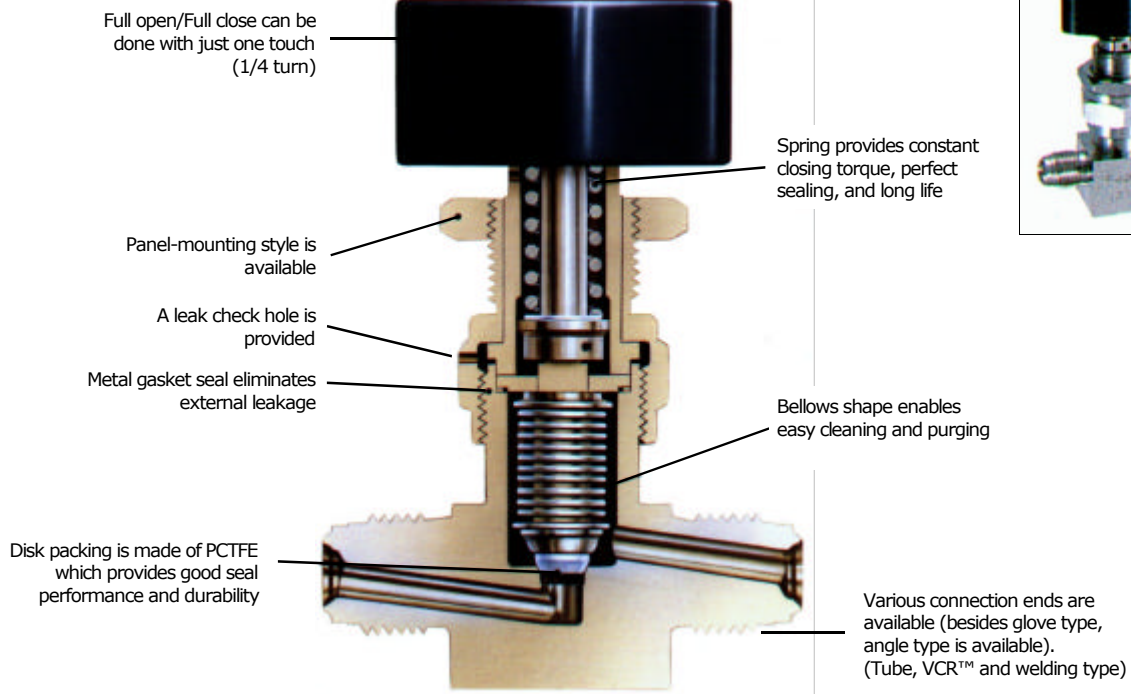


# Switch Bellows Quick 1/4 turn Bellows Valve



Basic Cat. NO	Nominal Dia.	Orifice dia. (mm)	Fujikin Code
SOBV-0001	1/4" (6,35 mm) VCR M.	5,0	FUBFL-71-6.35
SOBV-0002	3/8" (9,52 mm) VCR M.	8,0	FUBFL-71-9.52
SOBV-0003	1/4" (6,35 mm) VCR F.	5,0	FUBFL-71-6.35-2
SOBV-0004	3/8" (9,52 mm) VCR F.	8,0	FUBFL-71-9.52-2
SOBV-0005	1/4" (6,35 mm) TBW	5,0	FUBFL-51-6.35
SOBV-0006	3/8" (9,52 mm) TBW	8,0	FUBFL-51-9.52
SOBV-0007	1/4" (6,35 mm) Tube	5,0	FUBFL-91-6.35
SOBV-0008	3/8" (9,52 mm) Tube	8,0	FUBFL-91-9.52
SOBV-0009	1/2" (12,7 mm) Tube	8,0	FUBFL-91-12.7
SOBV-0010	1/4" (6,35 mm) Tube angle type	5,0	FUBFL-01-6.35
SOBV-0011	3/8" (9,52 mm) Tube angle type	8,0	FUBFL-01-9.52
SOBV-0012	1/2" (12,7 mm) Tube angle type	8,0	FUBFL-01-12.7

Various colored valve covers are optionally available

## Material

Description	Material
Body	SS 316 or SS 316L
Stem	SS 316L
Bellows	SS 316L
Bonnet	SS 316
Disk Packing	PCTFE

## Specifications

Nominal dia. Inch (mm)	Max. operating pressure (psi/bar)	Temp. Range of applicable fluid (°C)	Max Cv value
1/4" (6.35)	142.23 (10)	-10 / 80	0.3
3/8" (9.52)	142.23 (10)	-10 / 80	0.8
1/2" (12.7)	142.23 (10)	-10 / 80	0.8